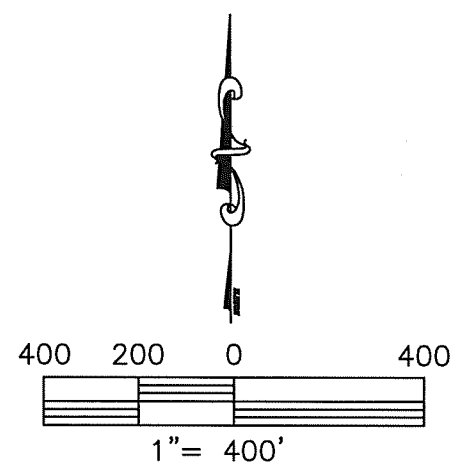


**WILDWING  
METRO DISTRICT MAP**

TOWN OF TIMNATH, COUNTY OF LARIMER,  
STATE OF COLORADO



NOTE: This exhibit drawing is not intended to be a monumented land survey. It's sole purpose is as a graphic representation to aid in the visualization of the written property description which it accompanies. The written property description supersedes the exhibit drawing.

**KING SURVEYORS**  
650 E. Garden Drive | Windsor, Colorado 80550  
phone: (970) 686-5011 | fax: (970) 686-5821  
www.kingsurveyors.com

PROJECT NO: 2014336  
DATE: 9/22/2014  
CLIENT: HARTFORD  
DWG: 2014336METRO-EXH  
DRAWN: CSK CHECKED: SAL